

# Dexion | Insulated High Speed Door



## Product overview

---

The Dexion Insulated High Speed Door is specially designed for freezer applications. The fast operating speed and excellent seal allow efficient traffic flow while minimizing temperature variations.

Optionally, an insulated curtain is available for additional savings on energy costs. The absence of rigid elements in the curtain and the soft bottom edge make the Dexion Insulated High Speed Door intrinsically safe.

## Key features and benefits

---

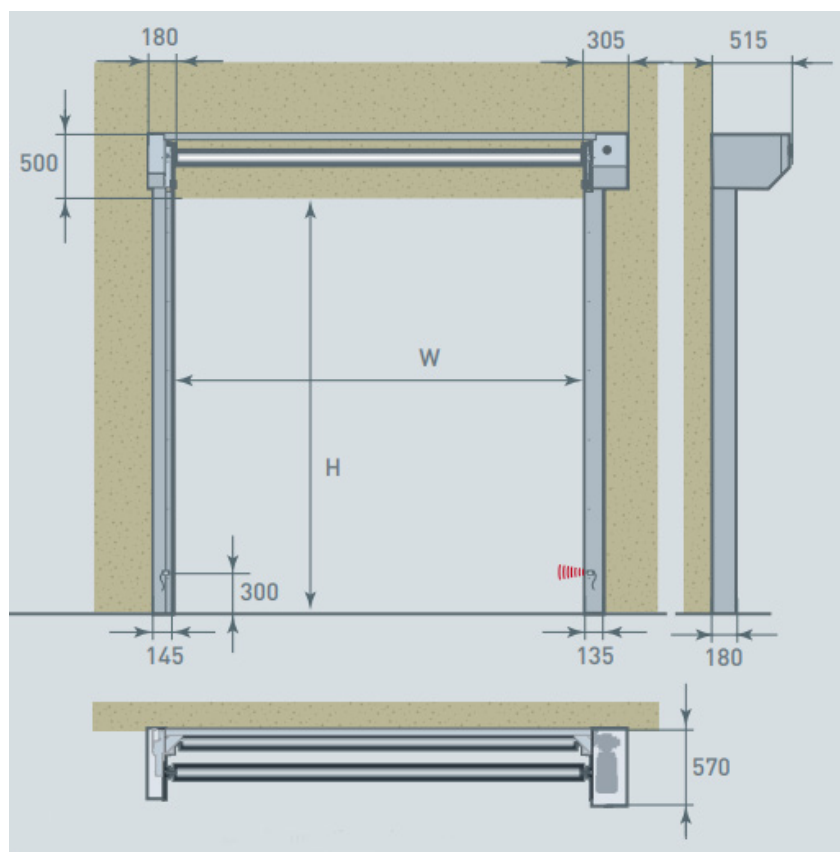
- **High speed operation:** 2.4 m/s opening speed and 1.2 m/s closing speed
- **Patented 'Push Pull' technology:** Unique door drive system.
- **Superior seal:** Patented side frame assembly. Neither blade nor brush systems required.
- **User safety:** Flexible curtain without rigid elements.
- **Advanced drive:** Frequency driven motor and encoder for smooth operation. Wearable elements are reduced to a minimum.
- **International Standards:** Conform to EN13241-1

# Dexion | Insulated High Speed Door

## Technical specifications

Max. dimensions	W 4,000 mm x H 5,500 mm		Standard detectors	Infrared barrier: 300 mm from the floor. Wireless DYNACO detector (WDD).	
	<b>With Standard Curtain</b>	<b>With Insulating Curtain</b>	Power supply	Single phase 230V - 23 A	
Opening Speed	Up to 2.4 m/s	Up to 1.2 m/s	Frequency	Frequency: 50-60 Hz	
Closing Speed	1.2 m/s	1.2 m/s	Advised operating temperature	- 30°C up to +5°C	
Frame Structure	Galvanized Steel: 80 x 40 x 3 mm Option: stainless steel		Available Colours	Yellow RAL1003, Green RAL6005 Orange RAL2004, Grey RAL7035 Red RAL3000, White RAL9010 Blue RAL5002, Black RAL9005	
Drum	Steel - Ø 102 x 2 mm				
Side guides	Reinforced polyethylene (PE-UHMW1000) on springs, heated				
Motor	4 poles, without brake. Power 1.5 kW IP rating: IP 65				

## Space required for Installation



## Contact

For more information on the Dexion Insulated High Speed Door, please contact us on 1800 100 050.

### Disclaimer:

The Information contained herein is the intellectual property of Dexion. The Information is defined to include: data, text, images, specification, graphics, design details and any and all other information whatsoever contained herein. The Information has been produced exclusively for Dexion and may not be used for any other purpose. None of the information may be used, altered, edited, copied, distributed or duplicated in any way without the express written consent of Dexion. Whilst the utmost care is taken to ensure the accuracy of the information contained herein, Dexion makes no guarantee as to its accuracy. Dexion shall, under no circumstances, be liable for any costs, losses, expenses or damages which may in any way be attributable to the use or adoption of such data and/or design details. All dimensions indicated are nominal only. Dexion reserves the right to alter or amend any of the information herein, including data and design details, without prior notice.